



# TT/E 155-65

HEAVY-DUTY DIESEL-ELECTRIC TRACKED TROMMEL

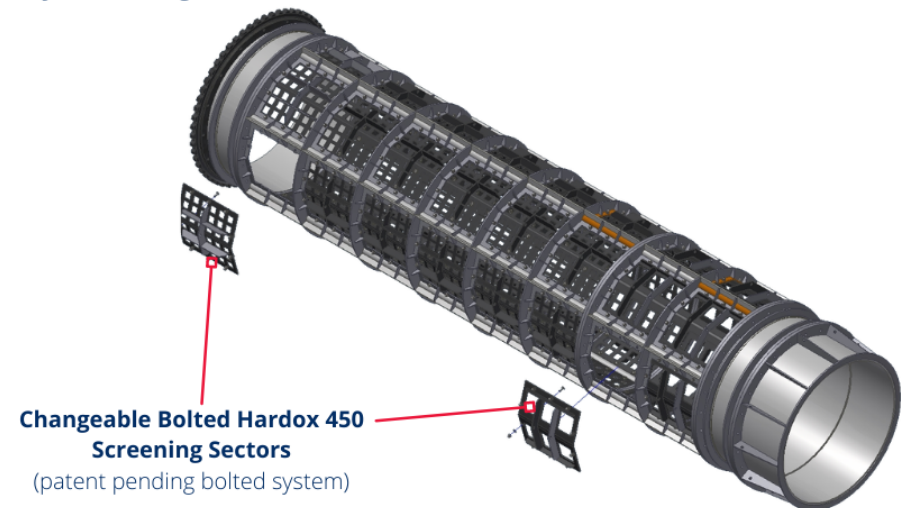
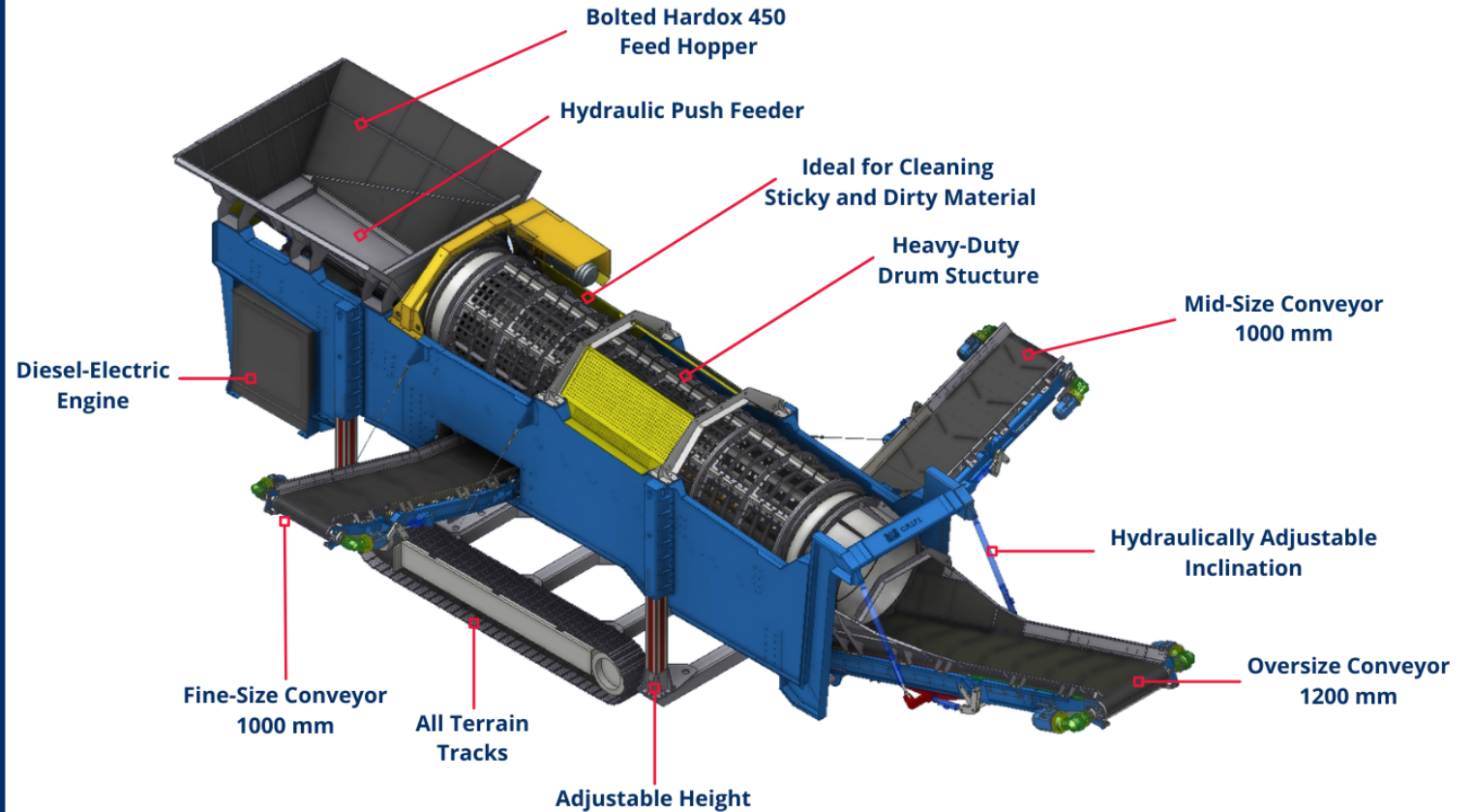
---

# CRIFI TT/E 155-65

The TT / E Tracked Trommel is the perfect machine for screening dirty and sticky material and can handle rocks up to 850 mm in size. All conveyor belts are foldable. It is a machine specially designed to move around the quarry and mining site.

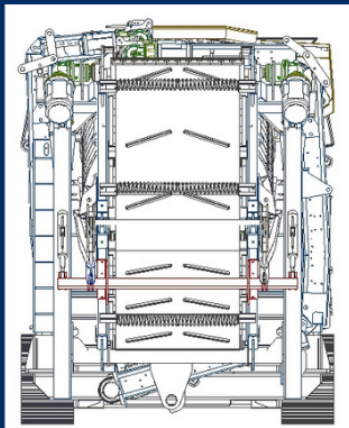
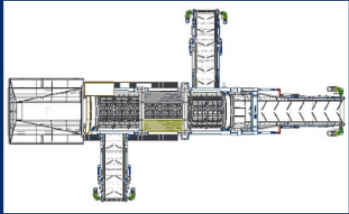
### Suitable for:

- Sticky/Dirty Clay
- Rip-Rap
- Steel Slag
- Limestone
- Abrasive Rocks
- Blasted Rocks

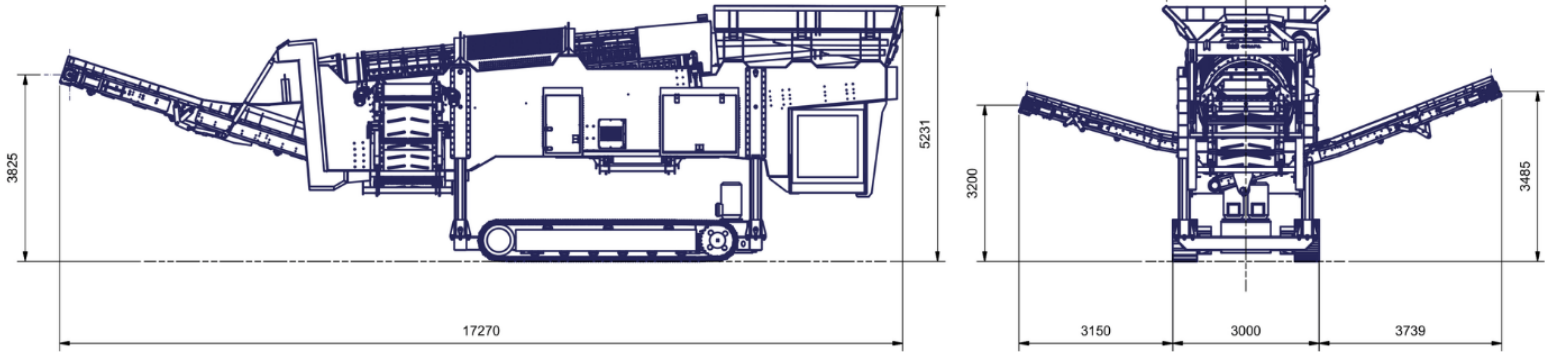


### MACHINE SPECIFICATIONS

- WEIGHT: 53 tons**
- DRUM DIAMETER: 1.55 m**
- DRUM LENGTH: 6.5 m**
- NUMBER OF OUTPUTS: 3 off**
- MAX ROCK SIZE: 850 mm**
- APPROX TONS PER HOUR: 400 to 650**
- TRANSPORT LENGTH: 15286 mm**
- TRANSPORT WIDTH: 3000 mm**
- TRANSPORT HEIGHT: 3842 mm**



## WORKING DIMENSIONS



## TRANSPORT DIMENSIONS

